

Retractable In-Ceiling Mounted Multi-Aspect Masking System Tab-Tensioned Surfaces

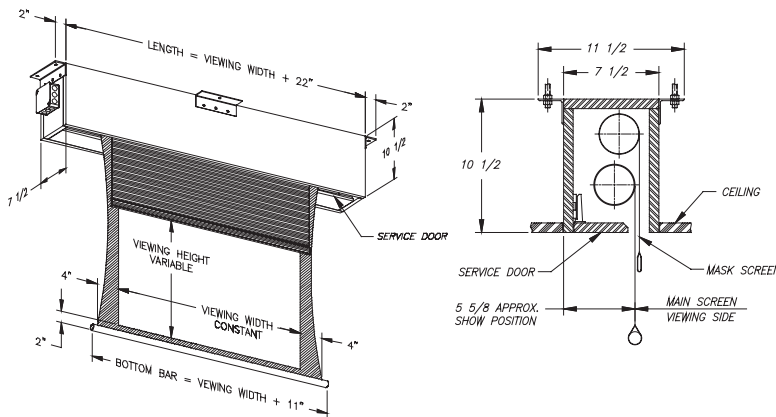


Features:

- » Designed for native 16:9 projectors
- » Constant width
- » Front Roll Deploy masking features precise mask to screen surface tolerances
- » MDF housing with a choice of black or white mica finishes
- » Acoustical dampening for silent operation DDR™ (Dual Dampened Roller)
- » Built-in intelligent motor control system
- » Includes 6-button keypad
- » Optional IR interface (01-IR6)
- » Standard with 12" black leader
- » Trim kit included
- » Additional leader available upon request
- » 5 year warranty

The Vision XM-IV is an In-Ceiling, Multi-Aspect Ratio Masking Door Screen for Multi-Purpose Media Rooms

**4K
READY**



PART NUMBER + SURFACE OPTION + VOLTAGE					SURFACES		Shipping
Format	Diagonal	Viewing Area	Overall Dimension	Part Numbers	Housing Color	MSRP (\$)	
EXAMPLE: XM4045-080 BOB 1					1 = 110V OR 2 = 220V	BriteWhite Opaque: (BO) PearlBrite: (PB) Rear-Vu: (RV) GreyDove: (GD)	CONTACT YOUR ACCOUNT MANAGER FOR PRICES
HDTV (16:9) to (1.85:1) to Widescreen (2.35:1, 2.40:1) Format					Black: (B) White: (W) Custom: (C)		
16:9	92"	45" x 80"	102"	XM4045-080XXX	B/W/C	CONTACT YOUR ACCOUNT MANAGER FOR PRICES	235 lbs.
1.85:1	91"	43.25" x 80"					
2.35:1	87"	34" x 80"					
2.40:1	86.75"	33.25" x 80"					
16:9	103"	50.50" x 89.75"	111.75"	XM4050-089XXX	B/W/C		250 lbs.
1.85:1	102"	48.50" x 89.75"					
2.35:1	97.50"	38.25" x 89.75"					
2.40:1	97"	37.50" x 89.75"					
16:9	110"	54" x 96"	118"	XM4054-096XXX	B/W/C		278 lbs.
1.85:1	109"	52" x 96"					
2.35:1	104.50"	41" x 96"					
2.40:1	104"	40" x 96"					
16:9	123"	60" x 107"	129"	XM4060-107XXX	B/W/C	208 lbs.	
1.85:1	122"	58" x 107"					
2.35:1	116.50"	45.50" x 107"					
2.40:1	116"	44.50" x 107"					
16:9	133"	65" x 116"	137.25"	XM4065-115XXX	B/W/C	318 lbs.	
1.85:1	131"	62.25" x 116"					
2.35:1	125.50"	49" x 116"					
2.40:1	125"	48" x 116"					
16:9	147"	72" x 128"	150"	XM4072-128XXX	B/W/C	341 lbs.	
1.85:1	146"	69" x 128"					
2.35:1	139"	54.50" x 128"					
2.40:1	138.50"	53.25" x 128"					

All measurements are nominal

Custom sizes and formats are available upon request

All units shipped in a wood crate



For assistance on selecting the proper Vision X product, contact a Vutec Account Manager at (954) 545-9000 Prices subject to change without prior notice

Learn more at www.visionxscreen.com