

INSTALLATION INSTRUCTIONS

HOME THEATER SERIES

FIXED FRAME SCREEN MODEL VISION XWF

Identify the frame pieces and lay them on a clean and flat surface with the backsides face up.

Attach the two corner brackets to both ends of the height frames (short length) as shown in Figure 1.

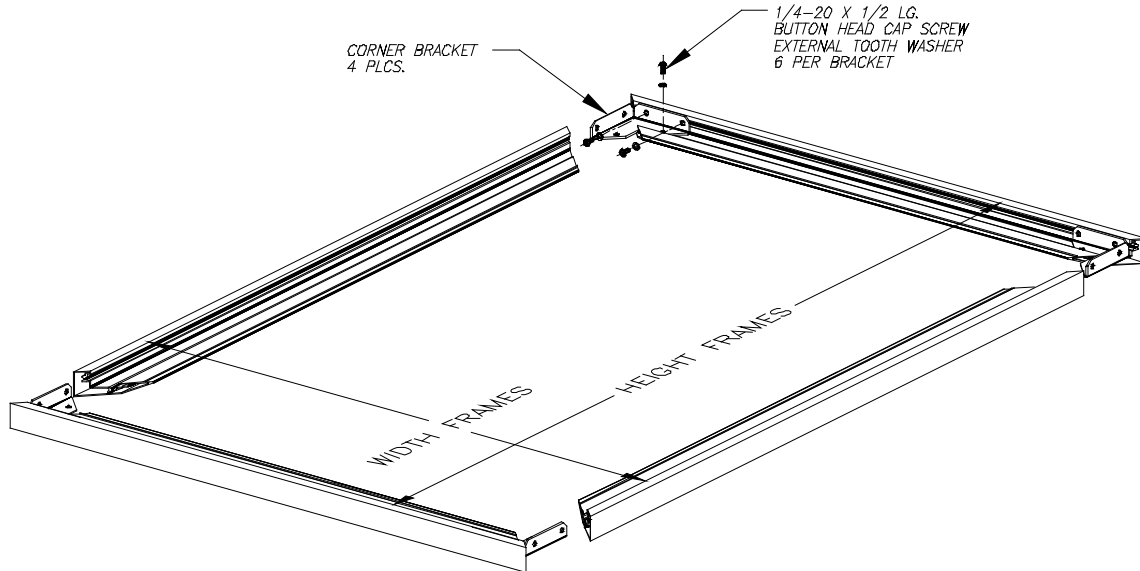


Figure 1

Snug tight the cap screws. Be sure to use the external tooth washers for proper locking.

Connect the width frames with the height frames to form a complete screen frame.

Snug tight the cap screws. Check for squareness and proper joining of the four corners. Make adjustments as necessary before completely tighten the screws.

Do not attach the screen fabric to the frame yet!

Referring to Figures 2 and 3, install the four mounting brackets to the screen frame.

Determine the location of the screen on the wall. Be sure the screen is level when viewed from the front.

While holding the frame against the wall; mark the location of the two visible holes of each bracket.

Remove the mounting brackets from the frame.

Install the mounting brackets to the wall with all three holes on the bracket.

NOTE: All brackets must be mounted on wall studs for proper support. If wall studs are not found, suitable wall anchors (not supplied) should be considered.



VUTEC CORPORATION

TEL: (954) 545 9000

FAX: (954) 545 9011

E-MAIL: info@vutec.com

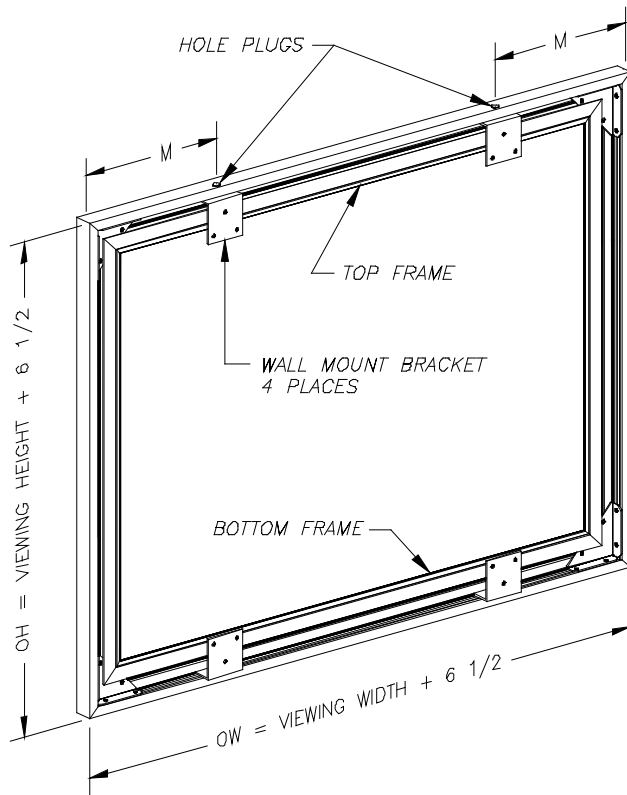


Figure 2
Backside of frame

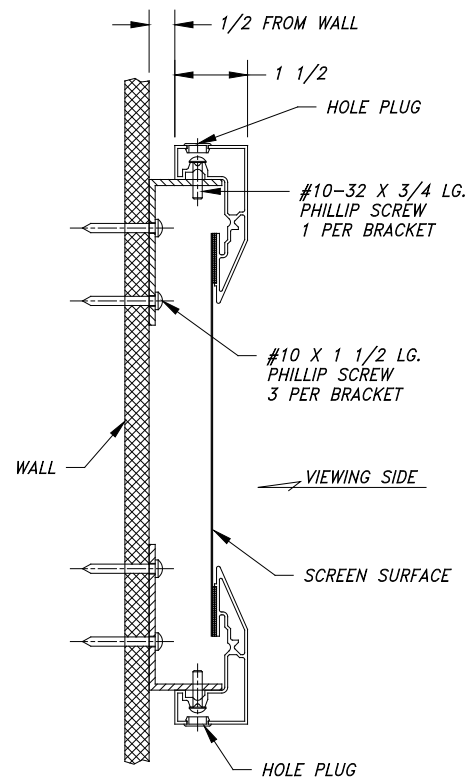


Figure 3
Cross section of frame

Place the screen frame on a clean and flat surface with the backside face up.

Attach the screen fabric to the frame by placing the Velcro on the fabric over the Velcro on the frame. Adjust and stretch tight the screen surface as necessary.

Referring to Figure 3, place the complete screen over the four mounting brackets on the wall. The screen should be approximately 1/2 inch from the wall when the mounting holes are lined up. Insert and tighten the four 10-32 x 3/4 screws through the frame into the mounting brackets.

Insert the four hole plugs.

Hardware supplied:

- (4) Corner bracket
- (4) Wall mount bracket
- (12) #10 x 1 1/2 long screw
- (24) 1/4-20 x 1/2 long button head cap screw
- (24) 1/4 external tooth washer
- (4) #10-32 x 3/4 long pan head Phillip screw
- (4) Hole plug
- (1) 5/32 hex key



VUTEC CORPORATION
 TEL: (954) 545 9000
 FAX: (954) 545 9011
 E-MAIL: info@vutec.com