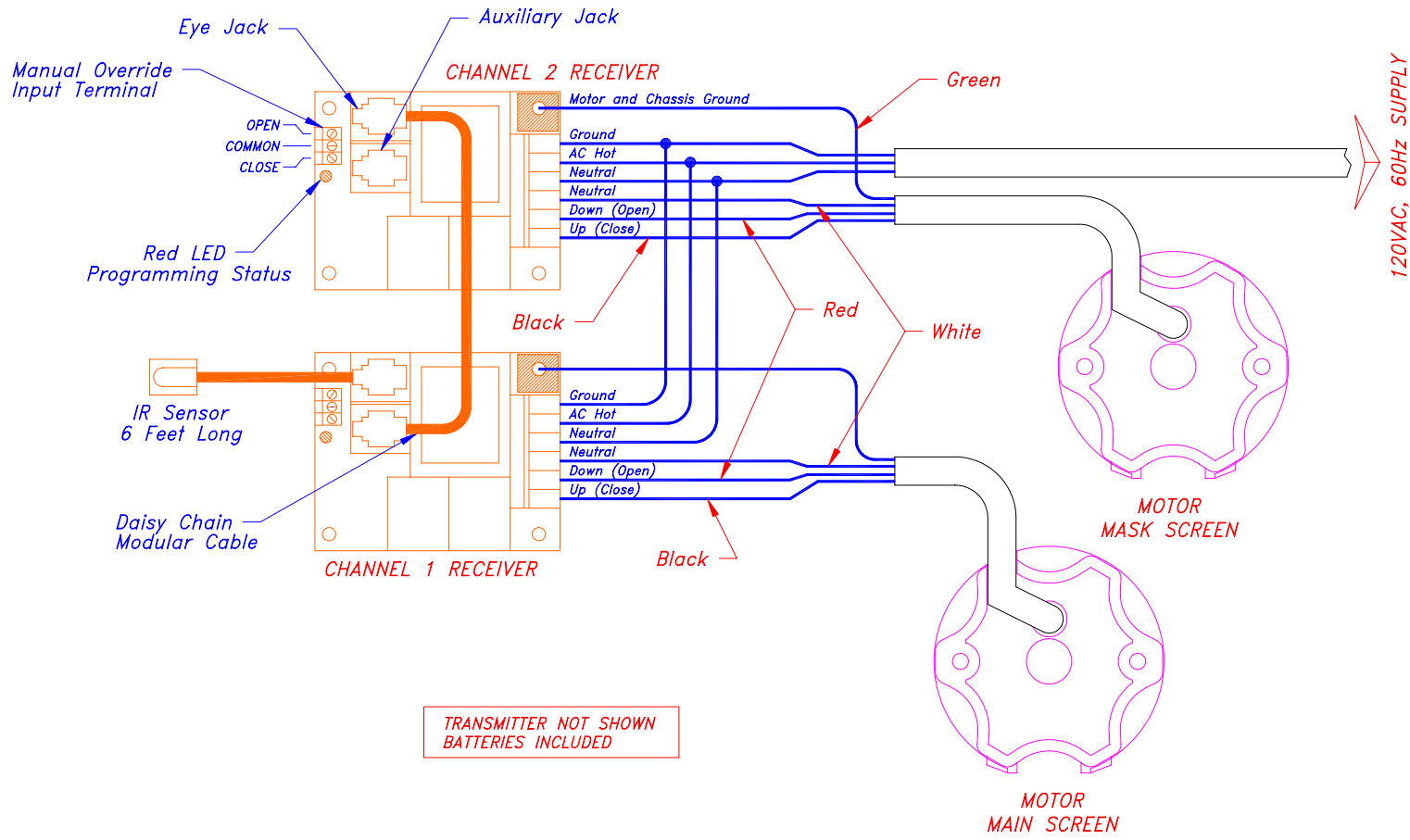


Quote No. _____

DUAL IR REMOTE CONTROL FOR MODEL VISION XMV, 120VAC



- Notes:**
- 1 - Wirings shown are to be connected by installers.
 - 2 - Wirings must conform to local and/or national electrical codes and regulations.
 - 3 - Wirings must be of minimum 18 AWG.
 - 4 - Transmitting Frequency: 38 kHz (Learnable)
 - 5 - Optimum Transmitting Range: 50 feet

CAD drawing – NOT TO SCALE

Optional Control Specified		
Project No.	Originator	Date
Customer Signature	Special Notes	Date



VUTEC CORPORATION

Phone: (800) 770-4700
 Phone: (954) 545-9000
 Fax: (954) 545-9011
 E-mail: info@vutec.com
 WWW.VUTEC.COM